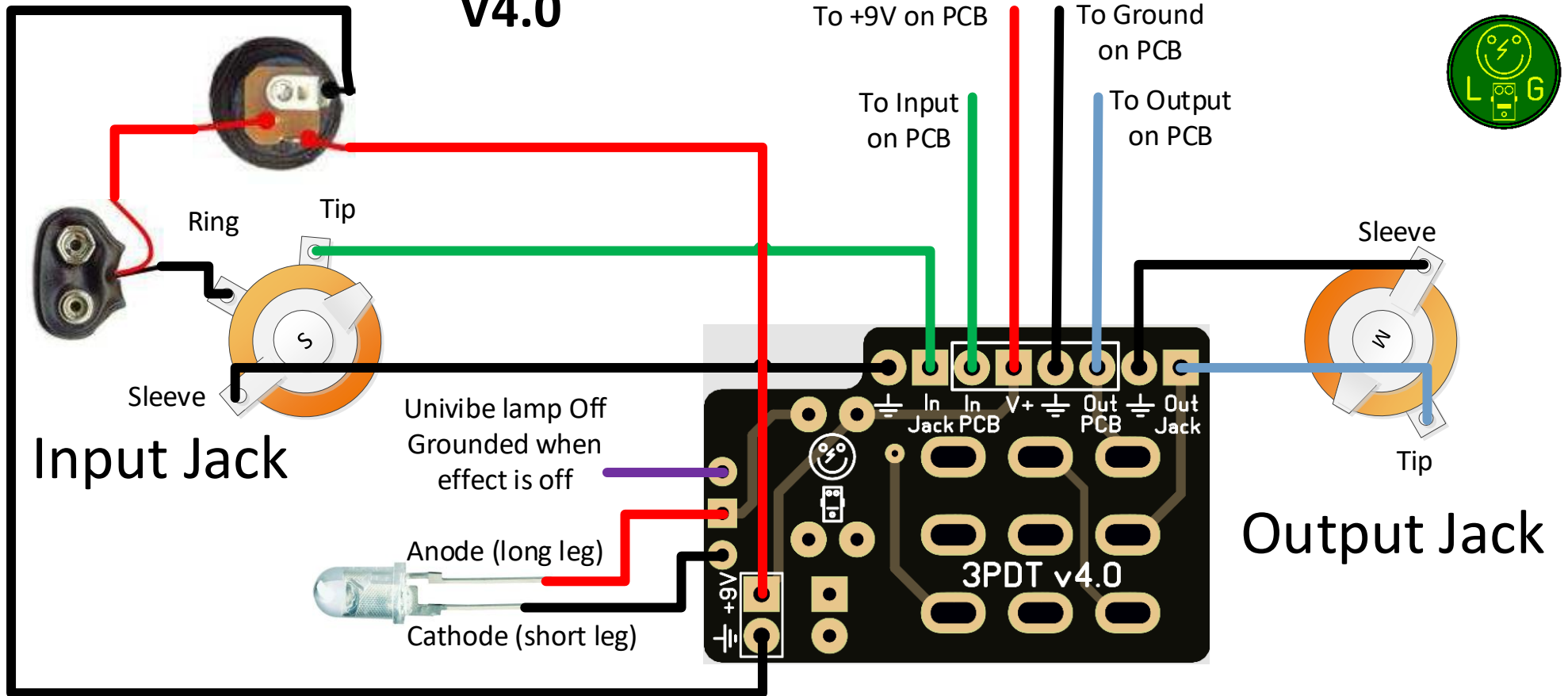
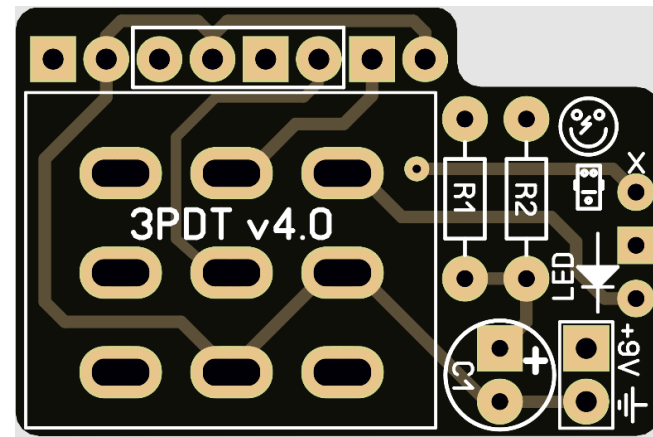


V4.0



- R1 4k7 or a value that suits your LED best
- R2 390R
- C1 10uF (10V minimal)
- LED LED and color of your choice



When patching 2 effects together then connect Out Jack from effect A to In Jack from effect B.